

PART NO.	MODEL NO.	DESCRIPTION
(6316)	VBV-790C-C(OG)	CAMERA ONLY, SELECT, WATERPROOF TO IP69K - NO AUDIO (PAL)

Revision Notes.				
-				
APA: -	Drawn:-	Checked:-	Approved:-	Date: -

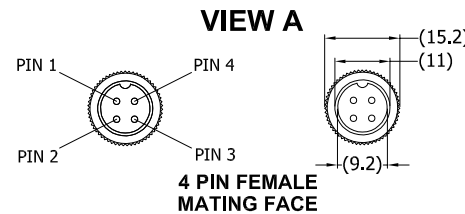
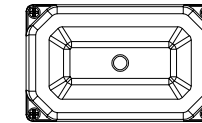
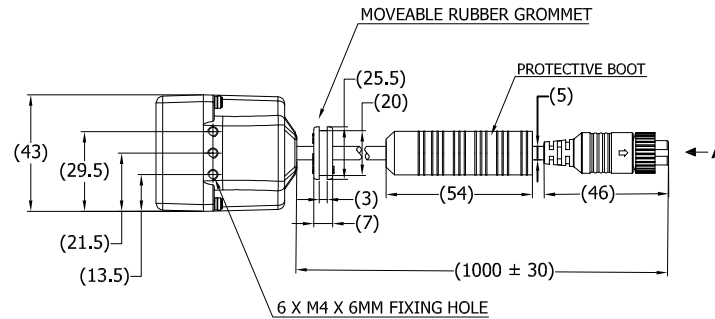
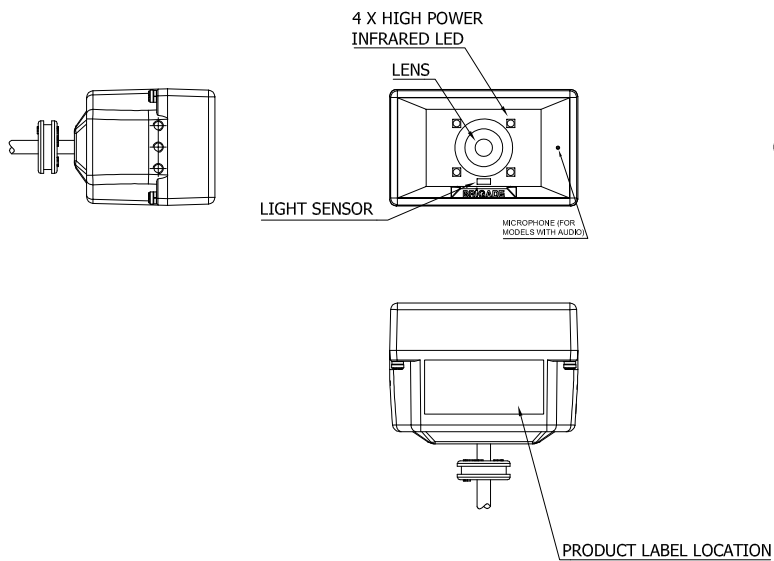
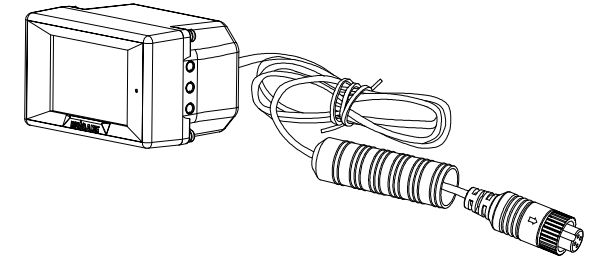
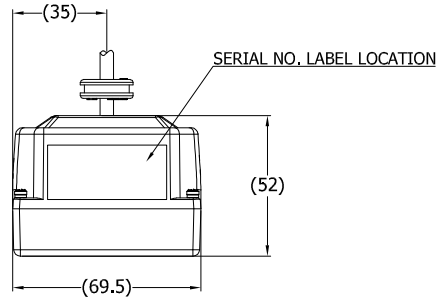
CHANGES FROM BASE PRODUCT VBV-790C-C (3346D) TO VBV-790C-C(OG) (6316):

CHANGE:

- DIMENSIONS OF MOVEABLE GROMMET CHANGED.
- PRODUCT LABEL CHANGED FROM VBV-790C-C PD-LBL (3346D) TO VBV-790C-C(OG) PD-LBL (6316).

OPERATION:

- NO CHANGE TO OPERATION.



PIN #	WIRE COLOUR	DESCRIPTION
1	RED	+12V
2	BLACK/SHIELD	GND
3	WHITE	AUDIO
4	YELLOW	VIDEO

- NOTES:
- FINISH IS BLACK.
  - FOR PRODUCT AND SERIAL LABEL DETAILS REFER TO MASTER BOM.
  - FOR FIRMWARE VERSION REFER TO LATEST VERSION OF BASE PRODUCT.
  - ANY CUSTOMER MODIFICATION OF THIS PRODUCT CAUSING SUBSEQUENT FAILURE IS NOT A LIABILITY OF BRIGADE ELECTRONICS PLC.

PROPRIETARY NOTICE

THIS DESIGN AND TECHNICAL INFORMATION APPEARING ON THIS DRAWING IS THE PROPERTY OF BRIGADE ELECTRONICS, AND IS DISCLOSED IN CONFIDENCE. IT IS NOT TO BE COPIED, REPRODUCED, REVEALED TO OR EXPROPRIATED BY OTHERS, EITHER IN WHOLE OR IN PART WITHOUT THE EXPRESS WRITTEN CONSENT OF BRIGADE ELECTRONICS.

**BRIGADE**  
www.brigade-electronics.com

Assembly Pl Approval J. LAM	Approved by B. CHILDS	Checked by J. TYRRELL	Drawn by A. FOSTER
Angle of Projection 	Units mm	Scale N/A	Released 19/10/20
Status RELEASED	VBV-790C-C(OG)		
Part No 6316	BE-004427-00-20		